
Comfort-Cire®

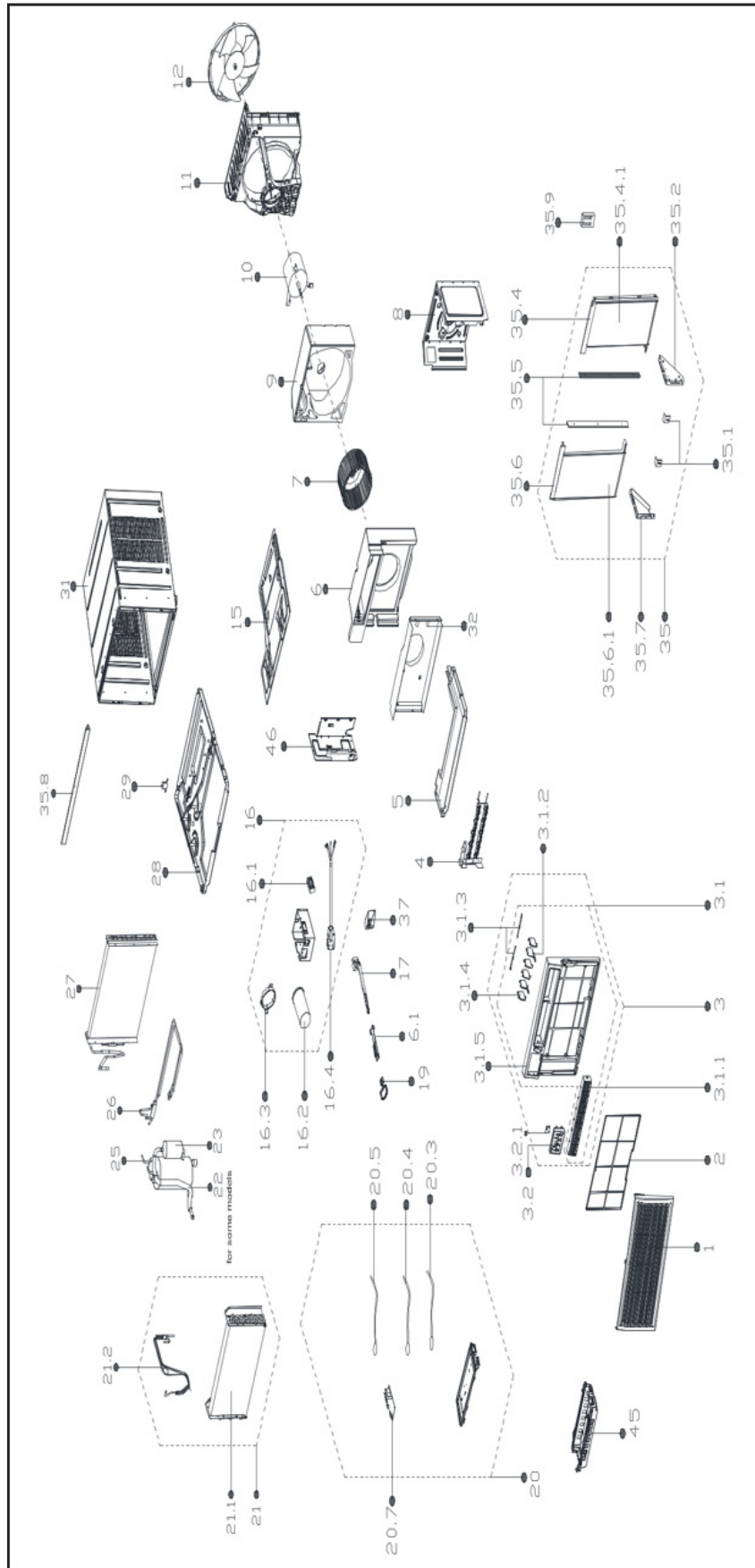
Century®

PARTS LIST

**Window Type Room Air
Conditioner with Electric Heat**

REG-183R01

EXPLODED VIEW



REPLACEMENT PARTS

Location	Part Name	Quantity	Part No.
1	Panel	1.00	12120300A22118
2	Air filter	1.00	12120300005605
3	Panel frame assembly	1.00	12120300A27067
3.1	Panel frame assembly	1.00	12120300A21969
3.1.5	Panel frame	1.00	12120300A21966
3.2	Display box subassembly	1.00	17220300A19669
3.2.1	Display board subassembly	1.00	17120300A04144
4	Electric heater assembly	1.00	17402006003381
5	Condenser water tray	1.00	12820300000025
6	Foam of front volute shell subassembly	1.00	12820300000939
6.1	Bracket of fresh air door	1.00	12120300007186
7	centrifuge fan	1.00	12100103001584
8	Front right barrier board subassembly	1.00	12220300005679
9	Foam of rear volute shell subassembly	1.00	12820300000919
10	Brushless DC Motor	1.00	11002015018374
11	Rear barrier board subassembly	1.00	12120300007207
12	Axial flow fan	1.00	12100105001381
15	Front cover assembly	1.00	12220300005938
16	Electronic control box subassembly	1.00	17220300006070
16.1	Terminal	2.00	17400401000012
16.2	Compressor Capacitor	1.00	17400103000010
16.3	Fasten board of Capacitor	1.00	12122000017361
16.4	American standard power cord	1.00	17401202016222
17	Connecting rod of fresh air door	1.00	12120300007187
19	Connecting rod of fresh air door	1.00	12120300004305
20	Electronic control box subassembly	1.00	17220300A24275
20.3	Pipe Temperature Sensor	1.00	11201007003439
20.4	Room Temperature Sensor	1.00	11201007003426
20.5	Discharge Temperature Sensor	1.00	11201007004043
20.7	Main control board subassembly	1.00	17120300A05884
21	Evaporator assembly	1.00	15820300004002
21.1	Evaporator	1.00	15820300004003
21.2	Capillary subassembly	1.00	15120300007582
23	Fixed Speed Rotary Compressor	1.00	11103010017357
25	Discharge pipe assembly	1.00	15120300001003
26	Super-cooling pipe assembly	1.00	15120300007603
27	Condenser Assembly	1.00	15820300000651
28	Chassis assembly	1.00	12220300006247
29	Drain valve	1.00	17400510000001
31	Cabinet assembly	1.00	12220300004021
32	Installation plate of Electric heater subassembly	1.00	12220300005699
35	Installation accessory	1.00	12020300A02704
35.1	Installation Located Block	2.00	12220300000536
35.2	Right bracket	1.00	12220300003600
35.4	Window accordion subassembly	1.00	12120300007204
35.4.1	Shutter	1.00	12120300004646
35.5	Connecting bar of cabinet	2.00	12120300004651
35.6	Window accordion subassembly	1.00	12120300007184
35.6.1	Shutter	1.00	12120300004646
35.7	Left Bracket	1.00	12220300003599
35.8	Top Shutter Frame	1.00	12220300003598
35.9	Remote controller	1.00	17317000A66653
42	Air outlet assembly	1.00	12120300A22058
43	WiFi Module Assembly	1.00	17310900003164
45	Electronic control box components	1.00	12220300005680
46	Front left barrier board subassembly	1.00	12220300005700

Due to ongoing product improvements, specifications and dimensions are subject to change and correction without notice or incurring obligations. Determining the application and suitability for use of any product is the responsibility of the installer. Additionally, the installer is responsible for verifying dimensional data on the actual product prior to beginning any installation preparations.

Incentive and rebate programs have precise requirements as to product performance and certification. All products meet applicable regulations in effect on date of manufacture; however, certifications are not necessarily granted for the life of a product. Therefore, it is the responsibility of the applicant to determine whether a specific model qualifies for these incentive/rebate programs.

Comfort-Aire® **Century**®

1900 Wellworth Ave., Jackson, MI 49203 • Ph. 517-787-2100 • www.marsdelivers.com

